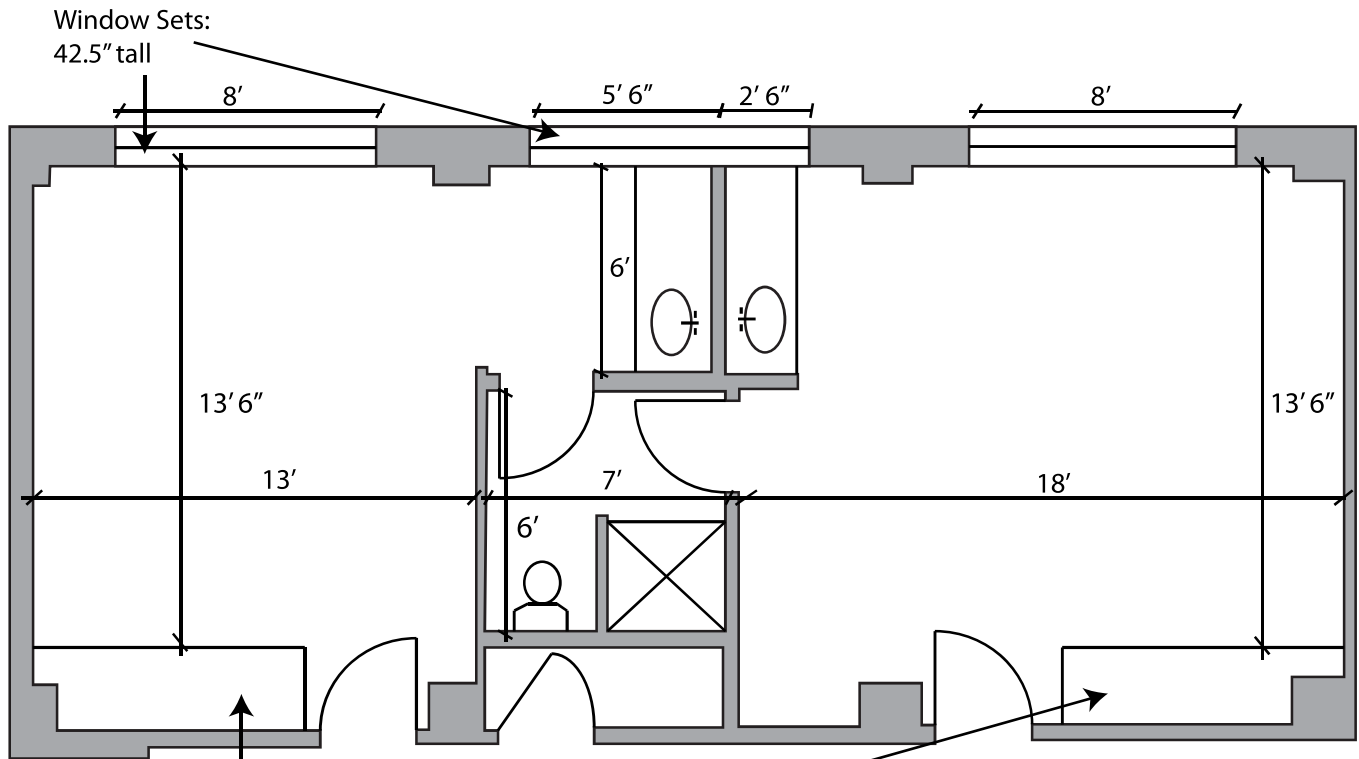


Ford Typical 2 Person x 2 Person Suite

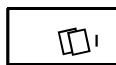
All dimensions approximate
 Typical ceiling height 8'



Closet: 2 sections per room
 2' Deep x 3' Wide
 shelf 2' down from top of closet



Twin XL Bed:
 Loftable Wooden Frame:
 6' 9" L x 3' 2" W
 Adjustable Height: 1' - 5' 2"



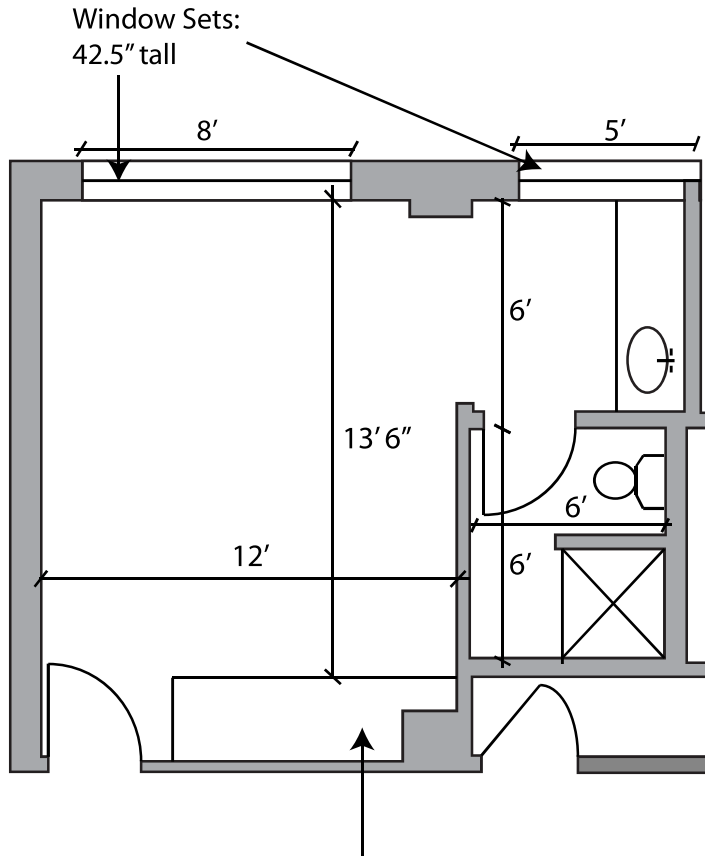
Desk:
 3' 6" L x 2' W x 2' 6" H



Dresser:
 2' 6" L x 2' W x 2' 6" H
 Drawers-
 2' 2" L x 1' 8" W x 6" H

Ford Typical 2 Person Private Suite

All dimensions approximate
 Typical ceiling height 8'



Closet: 2 sections per room
 2' Deep x 3' Wide
 shelf 2' down from top of closet



Twin XL Bed:
Loftable Wooden Frame:
 6' 9" L x 3' 2" W
 Adjustable Height: 1' - 5' 2"



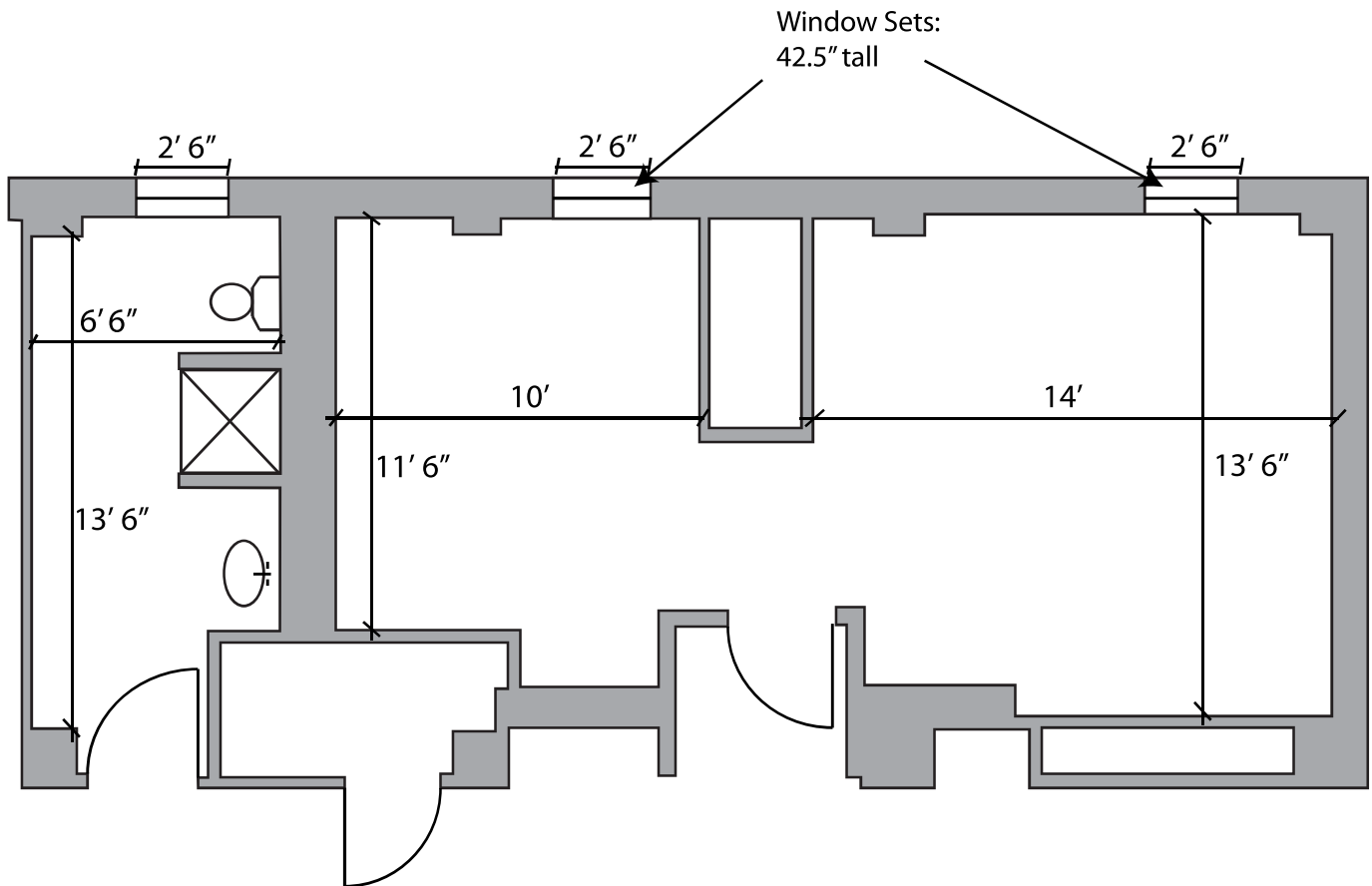
Desk:
 3' 6" L x 2' W x 2' 6" H



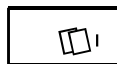
Dresser:
 2' 6" L x 2' W x 2' 6" H
 Drawers-
 2' 2" L x 1' 8" W x 6" H

Ford Typical Unattached Suite

All dimensions approximate
 Typical ceiling height 8'



Twin XL Bed:
 Loftable Wooden Frame:
 6' 9" L x 3' 2" W
 Adjustable Height: 1' - 5' 2"



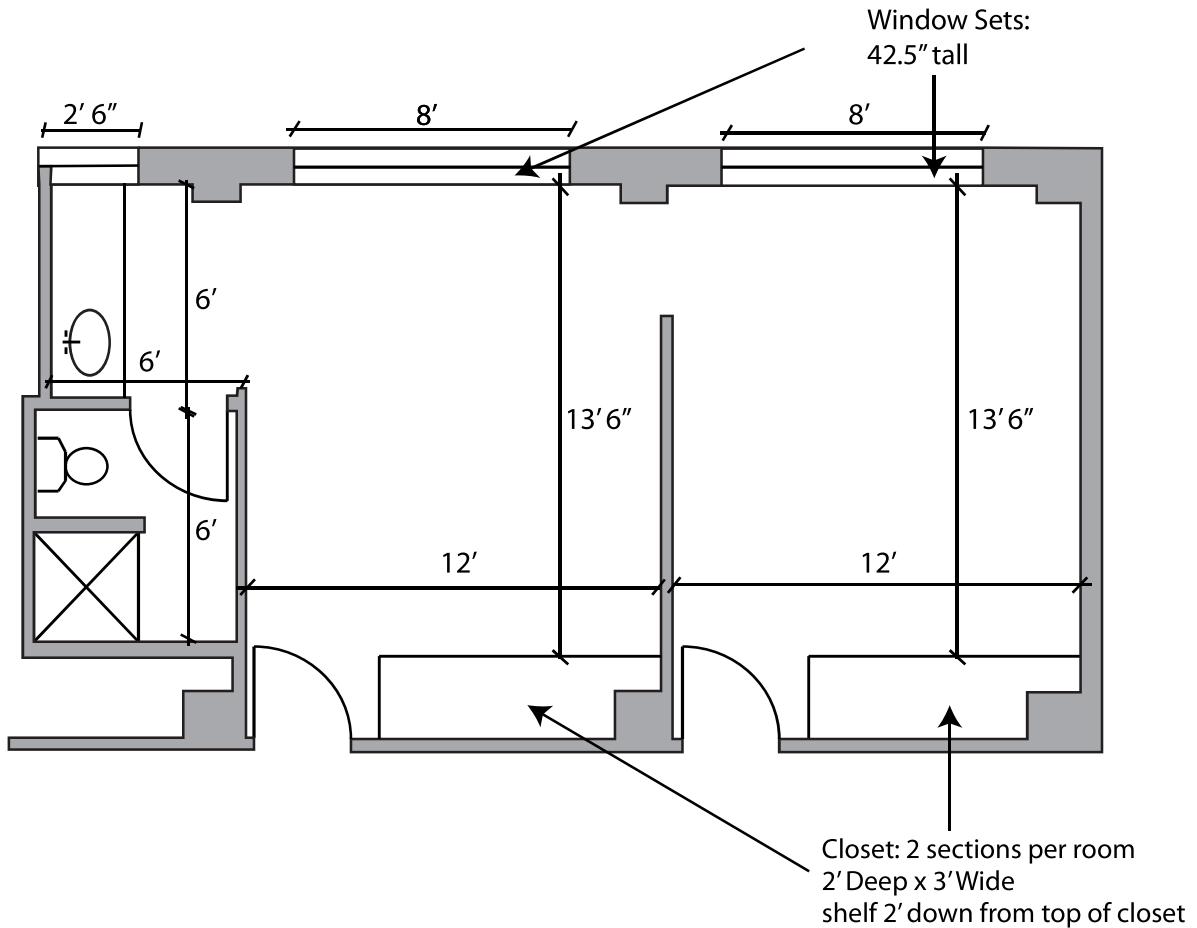
Desk:
 3' 6" L x 2' W x 2' 6" H



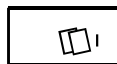
Dresser:
 2' 6" L x 2' W x 2' 6" H
 Drawers-
 2' 2" L x 1' 8" W x 6" H

Ford Typical 4 Person Private Suite

All dimensions approximate
 Typical ceiling height 8'



Twin XL Bed:
 Loftable Wooden Frame:
 6' 9" L x 3' 2" W
 Adjustable Height: 1' - 5' 2"



Desk:
 3' 6" L x 2' W x 2' 6" H



Dresser:
 2' 6" L x 2' W x 2' 6" H
 Drawers-
 2' 2" L x 1' 8" W x 6" H