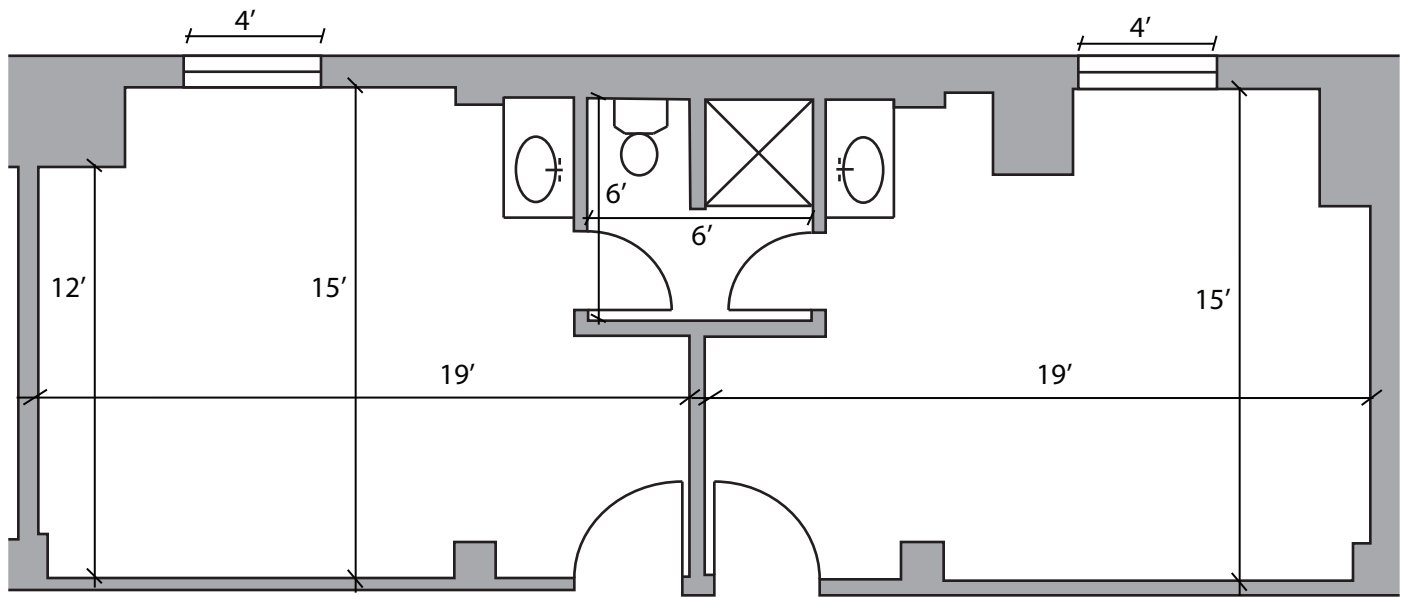
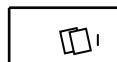


Goodnow Typical 2 Person x 2 Person Suite

All dimensions approximate
Typical ceiling height 9'



Twin XL Bed:
Loftable Wooden Frame:
6' 9" L x 3' 2" W
Adjustable Height: 1' - 5' 2"



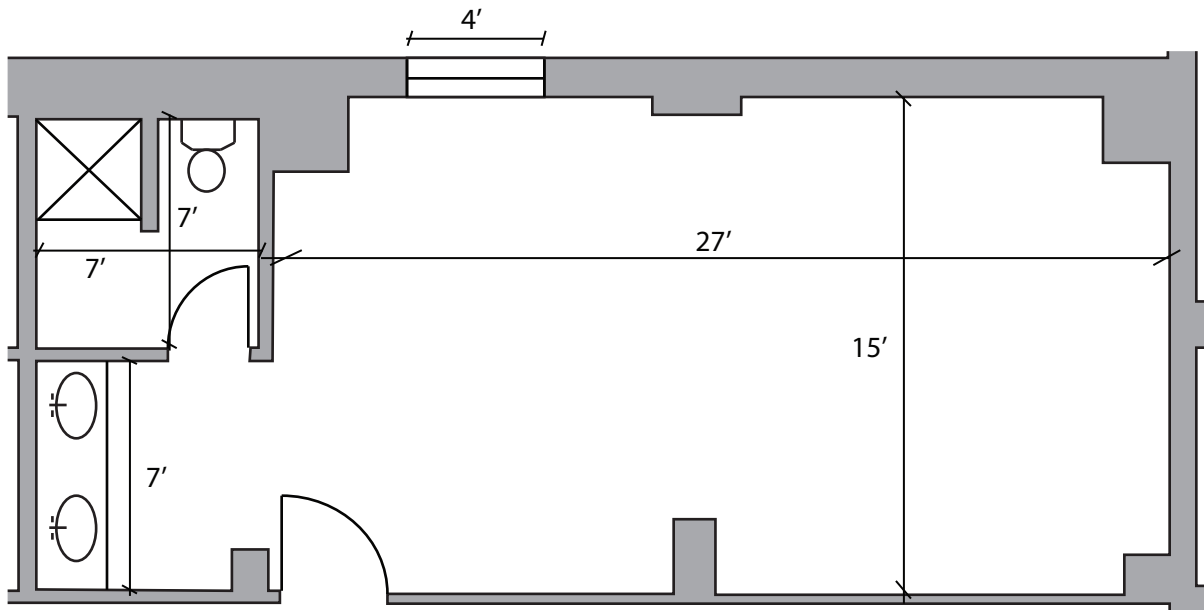
Desk:
3' 6" L x 2' W x 2' 6" H



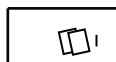
Dresser:
2' 6" L x 2' W x 2' 6" H
Drawers-
2' 2" L x 1' 8" W x 6" H

Goodnow Typical 4 Person Private Suite

All dimensions approximate
Typical ceiling height 9'



Twin XL Bed:
Loftable Wooden Frame:
6' 9" L x 3' 2" W
Adjustable Height: 1' - 5' 2"



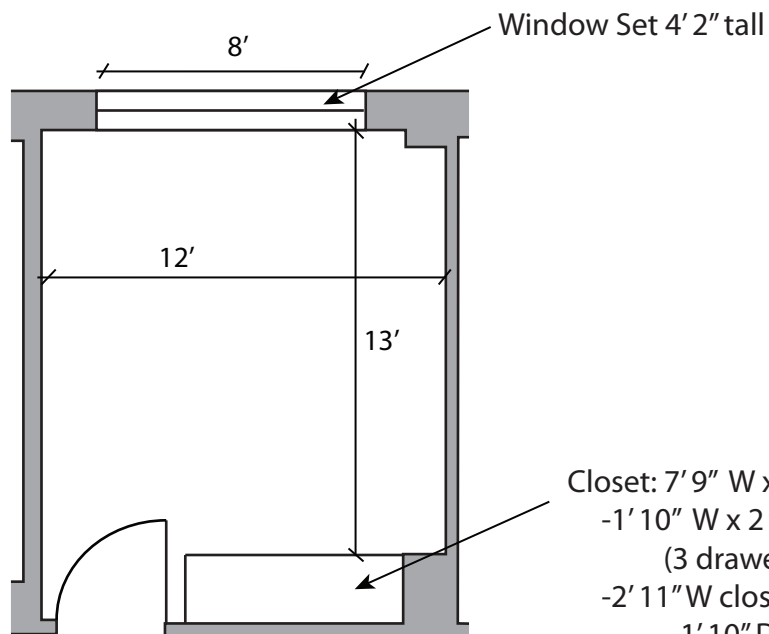
Desk:
3' 6" L x 2' W x 2' 6" H



Dresser:
2' 6" L x 2' W x 2' 6" H
Drawers-
2' 2" L x 1' 8" W x 6" H

Goodnow Typical Standard Double

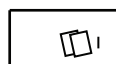
All dimensions approximate
Typical ceiling height 9'



- Closet: 7' 9" W x 5' 5" Tall x 2' 3" Deep
- 1' 10" W x 2' Deep - dresser in middle (3 drawers per student)
- 2' 11" W closets on sides
- 1' 10" Deep shelf in each closet (1 closet per student)



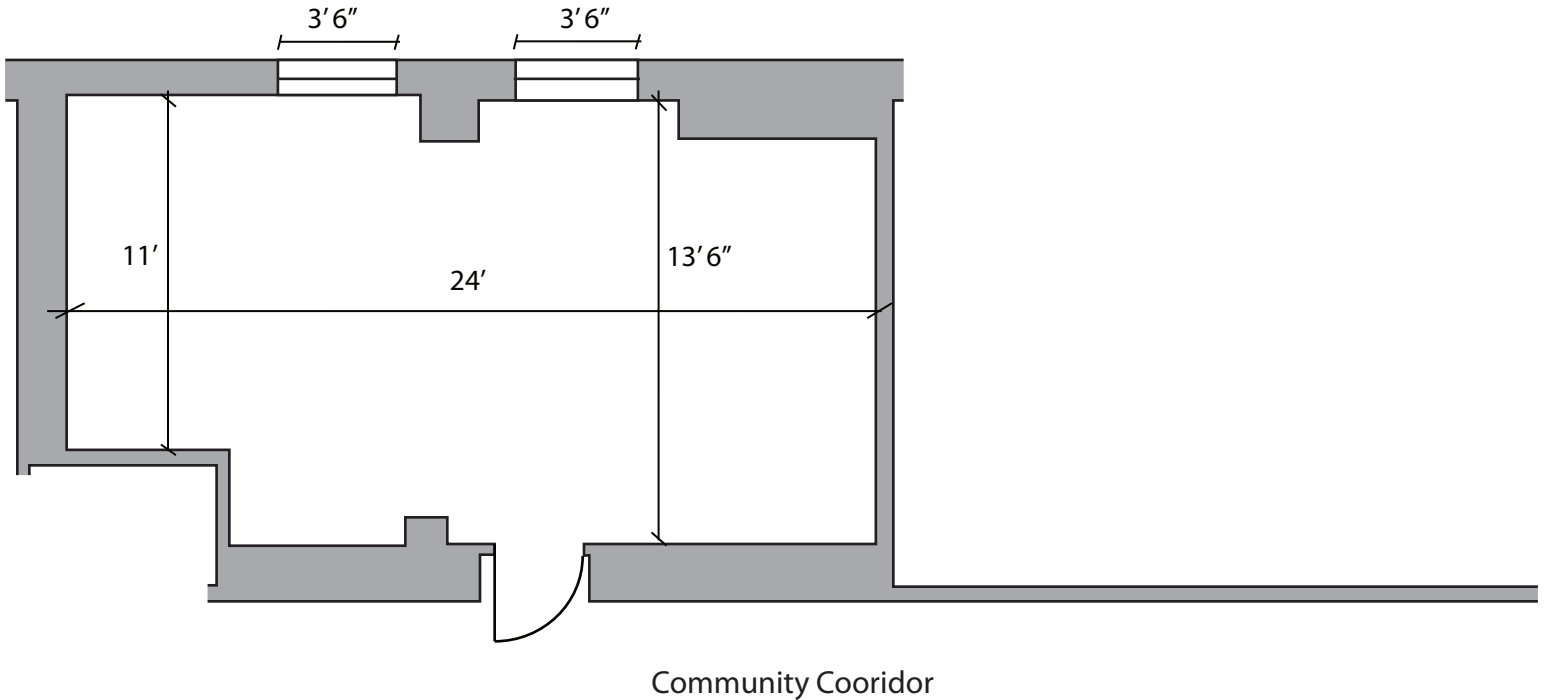
Twin XL Bed:
Loftable Wooden Frame:
6' 9" L x 3' 2" W
Adjustable Height: 1' - 5' 2"



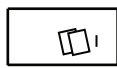
Desk:
3' 6" L x 2' W x 2' 6" H

Goodnow Typical Unattached Suite

All dimensions approximate
 Typical ceiling height 9'



Twin XL Bed:
 Loftable Wooden Frame:
 6' 9" L x 3' 2" W
 Adjustable Height: 1' - 5' 2"



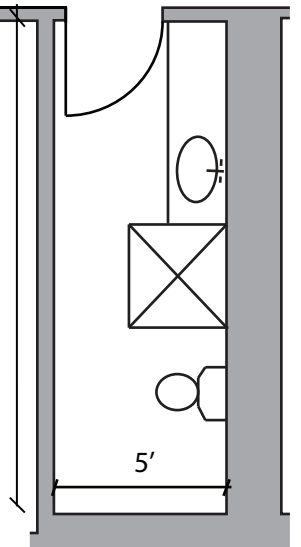
Desk:
 3' 6" L x 2' W x 2' 6" H



Dresser:
 2' 6" L x 2' W x 2' 6" H
 Drawers-
 2' 2" L x 1' 8" W x 6" H

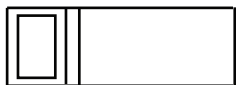
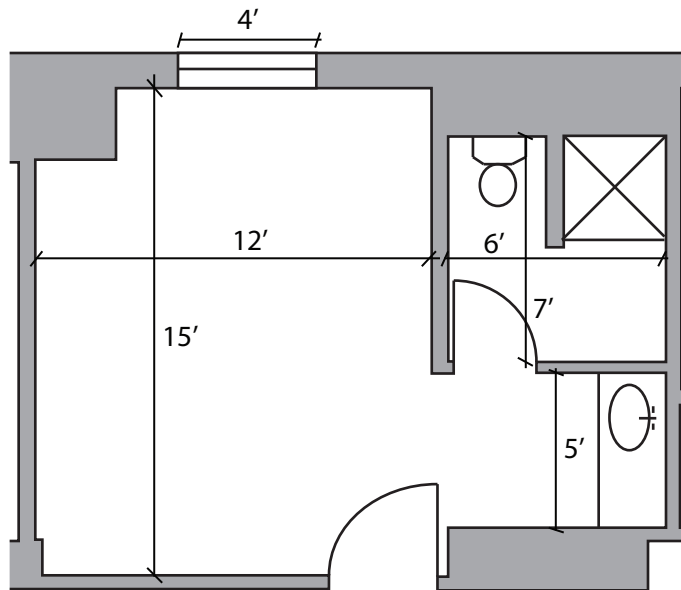
15'

5'

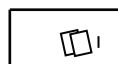


Goodnow Typical 2 Person Private

All dimensions approximate
Typical ceiling height 9'



Twin XL Bed:
Loftable Wooden Frame:
6' 9" L x 3' 2" W
Adjustable Height: 1' - 5' 2"



Desk:
3' 6" L x 2' W x 2' 6" H



Dresser:
2' 6" L x 2' W x 2' 6" H
Drawers-
2' 2" L x 1' 8" W x 6" H